

## UERS'S MANUAL FOR TRIPOD SCREEN



## Installation and operation of screen

- Open the packing box and remove all packaging.
- Place screen vertically.
- Press Adjust Key (5) and lift the Drop Tube (6) until you hear a “click” sound (Drop Tube locked). The screen housing can rotate freely now.
- Rotate the Rotary Pole (7) to place on the Topside Tow Bar (8) horizontally.
- Rotate the screen housing to horizontal level (openings upward).
- Press the Tripod Fork (15) a little to ensure the tripod stand on the floor stably.
- Hold the housing and pull out the screen slowly, and hang the screen on the rotated Rotary Pole (7).

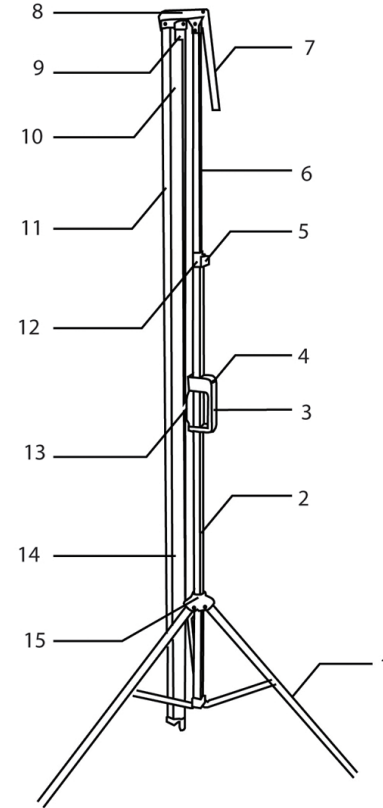
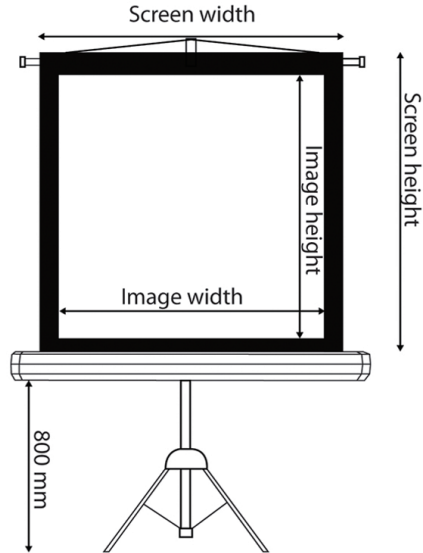
Cautions: The tripod and the screen house is heavy, handle with care is must.

## Specifications

Size: 100"  
Ratio: 4:3

Image dimension  
Width: 2000 mm  
Height: 1500 mm

Screen dimension  
Width: 2080 mm  
Height: 1580 mm



## Overview

- |                  |                    |                                    |
|------------------|--------------------|------------------------------------|
| 1. Tripod        | 6. Drop tube       | 11. Housing                        |
| 2. Adjust tube   | 7. Rotary pole     | 12. Extremity piece of square tube |
| 3. Handle        | 8. Topside tow bar | 13. Rotary locking pieces          |
| 4. Handle button | 9. Poling          | 14. Hang strip                     |
| 5. Adjust key    | 10. Screen         | 15. Tripod fork                    |